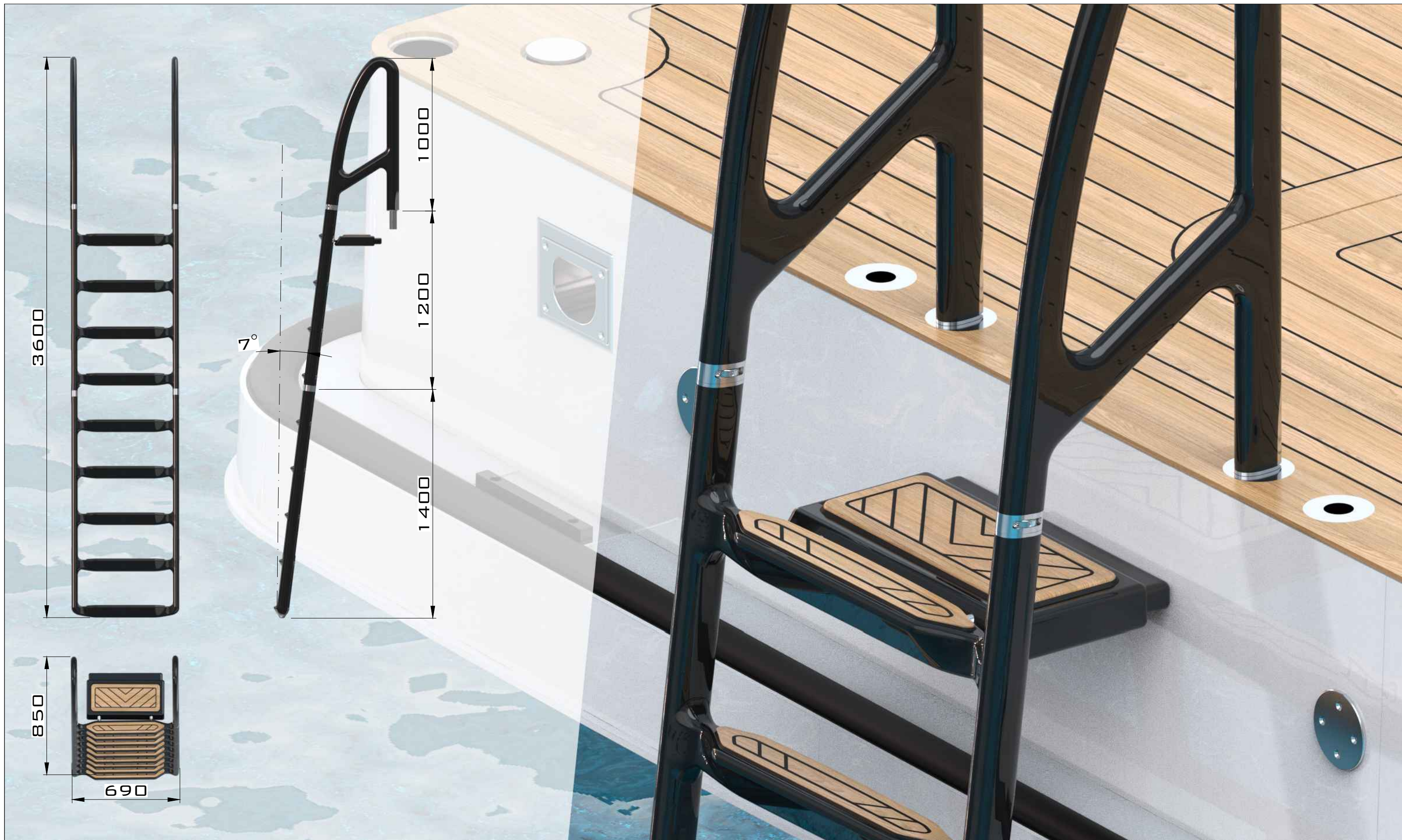
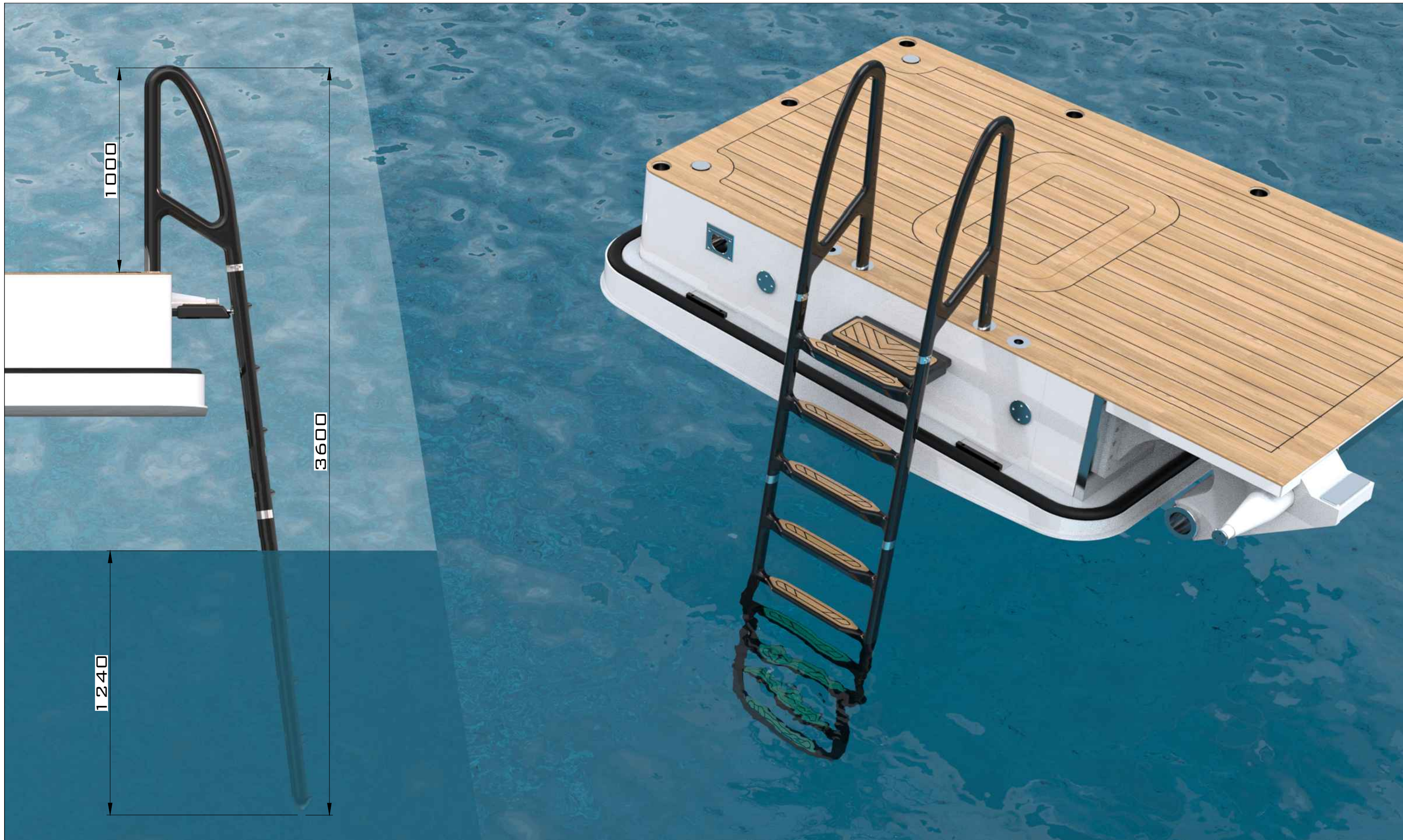




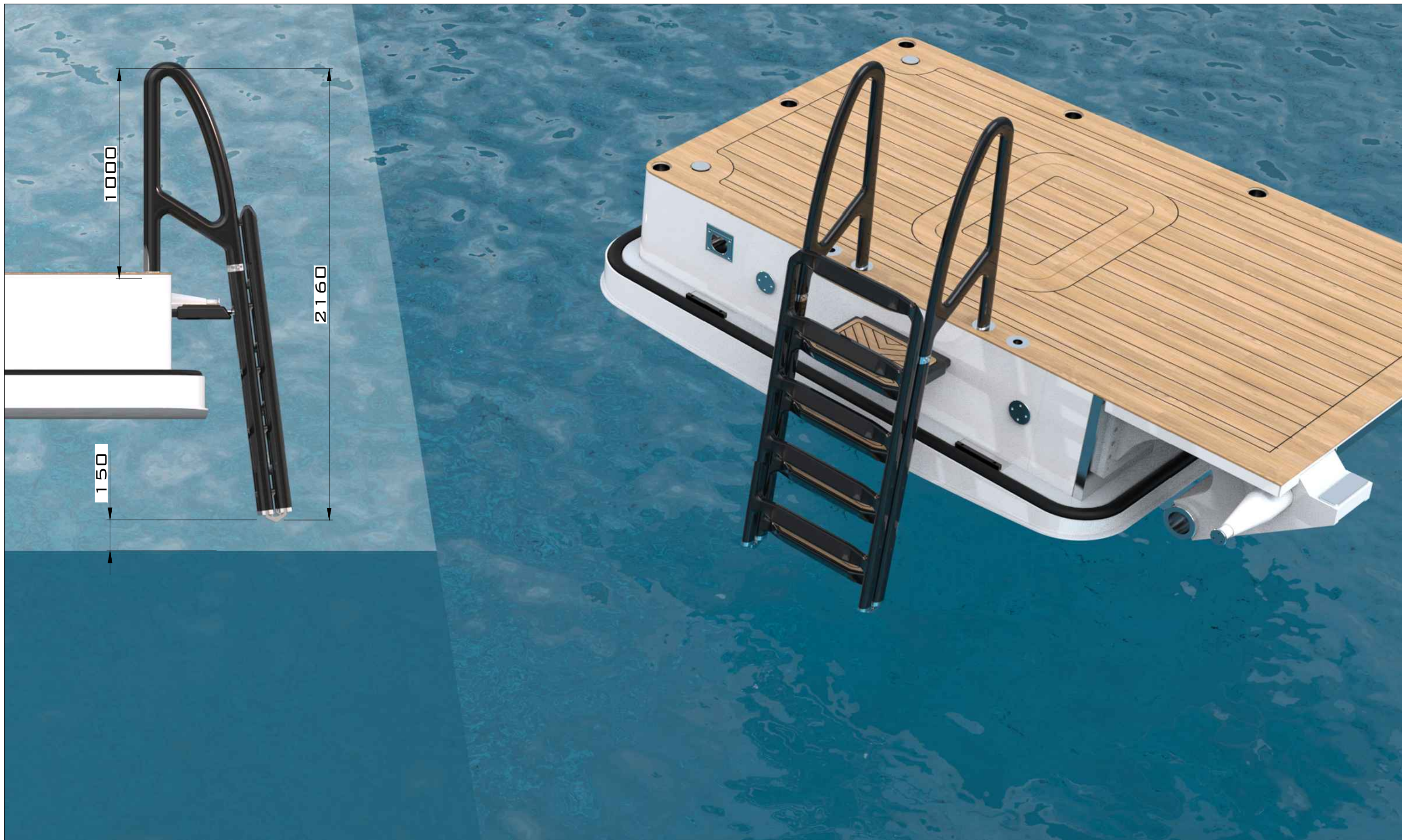
DRAWN BY: ARGO NAVIS			DRAWING TITLE: BATHING LADDERS	
CHECKED BY: ARGO NAVIS			PROJECT NAME:	
APPROVED BY: ARGO NAVIS			CLIENT:	
DATE: 20-JUL-2022			DRAWING No.:	
SCALE: N/A	PAPER SIZE: A3	REV.: -	1 1015-02-01-01	
			SHEET No.:	
			1 OF 5	



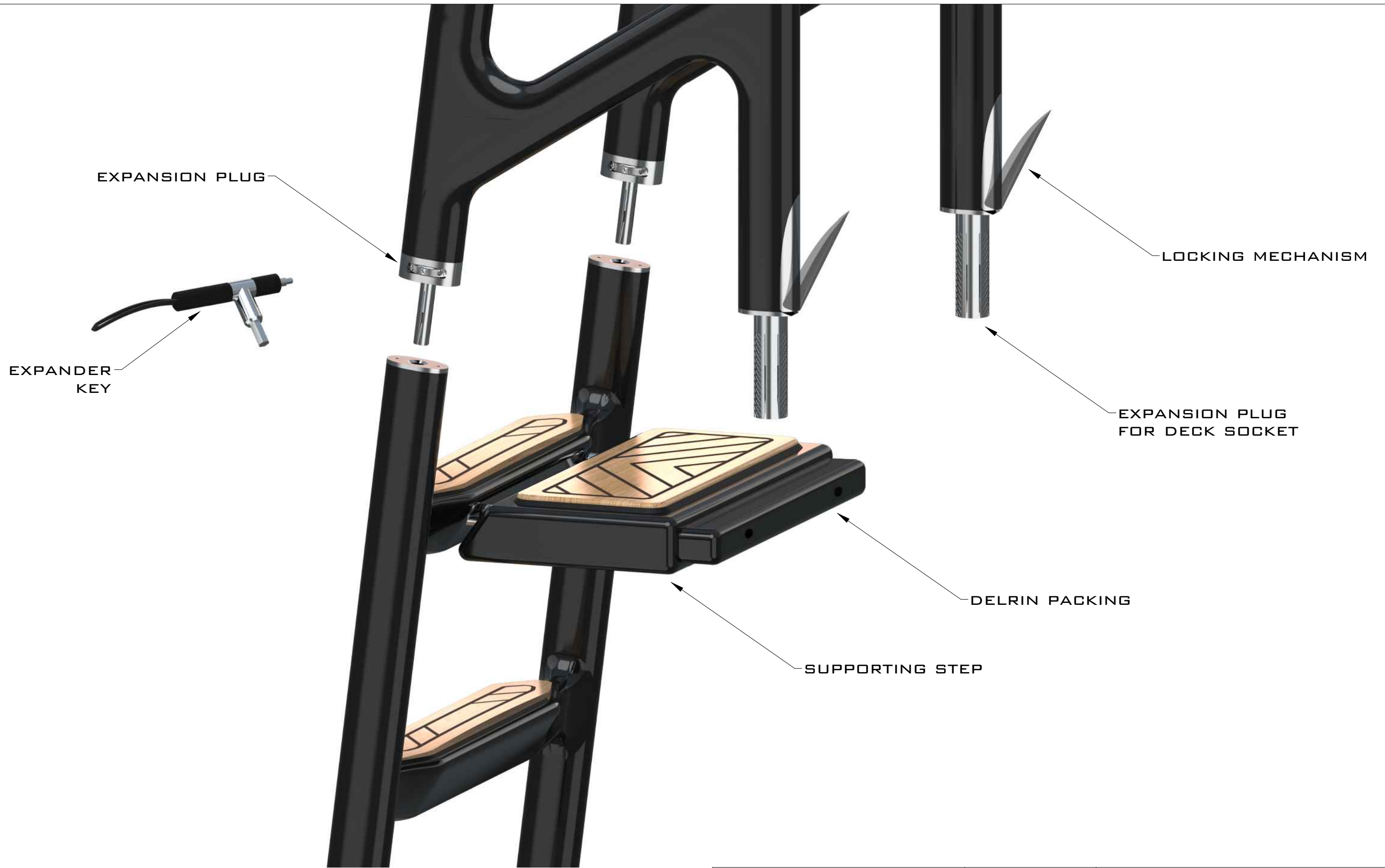
DRAWN BY: ARGO NAVIS			DRAWING TITLE: BATHING LADDERS	
CHECKED BY: ARGO NAVIS			PROJECT NAME:	
APPROVED BY: ARGO NAVIS			CLIENT:	
DATE: 20-JUL-2022			DRAWING No.:	
SCALE: N/A	PAPER SIZE: A3	REV.: -	SHEET No.:	
			1 1015-02-01-01	
			2 OF 5	



DRAWN BY: ARGO NAVIS			DRAWING TITLE: BATHING LADDERS	
CHECKED BY: ARGO NAVIS			PROJECT NAME:	
APPROVED BY: ARGO NAVIS			CLIENT:	
DATE: 20-JUL-2022			DRAWING No.:	
SCALE: N/A	PAPER SIZE: A3	REV.: -	1 1015-02-01-01	
			SHEET No.:	
			3 OF 5	



DRAWN BY: ARGO NAVIS			DRAWING TITLE: BATHING LADDERS	
CHECKED BY: ARGO NAVIS			PROJECT NAME:	
APPROVED BY: ARGO NAVIS			CLIENT:	
DATE: 20-JUL-2022			DRAWING No.:	
SCALE: N/A	PAPER SIZE: A3	REV.: -	1 1015-02-01-01	
			SHEET No.:	
			4 OF 5	



DRAWN BY: ARGO NAVIS			DRAWING TITLE: BATHING LADDERS	
CHECKED BY: ARGO NAVIS			PROJECT NAME:	
APPROVED BY: ARGO NAVIS			CLIENT:	
DATE: 20-JUL-2022			DRAWING No.:	
SCALE: N/A	PAPER SIZE: A3	REV.: -	SHEET No.:	
			1 1015-02-01-01	
			5 OF 5	